

Cabinet/Blast Freezers



8 CU. FT.



12 CU. FT.



153 CU. FT.



308 CU. FT.

Applications

Cryogenic batch freezers are used for discontinuous cooling, freezing or crust-freezing for a wide range of products. Normally the operator loads the product onto baker racks equipped with wheels, before pushing them into the freezer. Applications can be found in the food industry, the pharmaceutical and metallurgical industry.

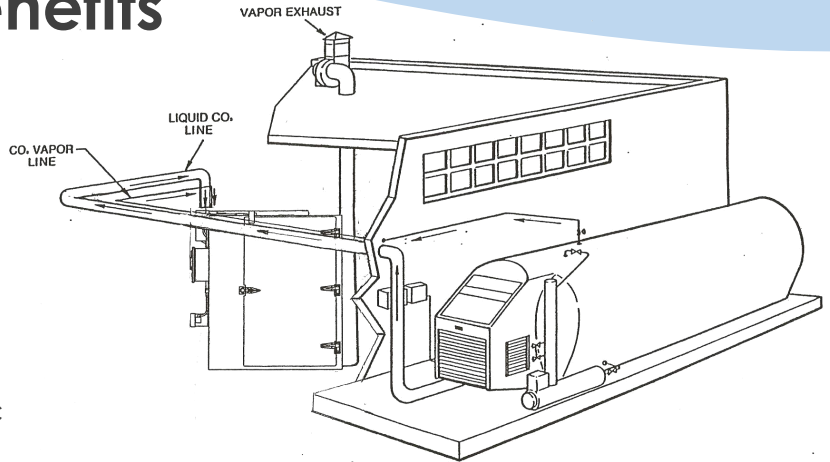
Cryogenic Freezing Cabinets

Cryogenic batch freezers use liquefied carbon dioxide (LCO₂) or liquefied nitrogen (LIN) for discontinuous cooling and freezing. Controlled injection of the cryogenic gas lowers the temperature in the cabinet as the gas immediately evaporates. The latent heat of evaporation is the main source of cooling energy. Fans spread the gas in the cabinet in a controlled way and efficiently transfer the cold to the product's surface.

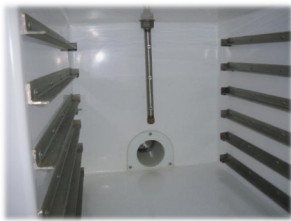
COOLER	INTERNAL DIMENSIONS	EXTERNAL DIMENSIONS (W X D X H)
8 CF	24" x 24" x 24"	39" x 42" x 30"
12 CF	21.5" x 29" x 31"	39" x 42" x 40"
153 CF	59.25" x 57.25" x 78"	87" x 63" x 90"
308 CF	59.25" x 116" x 78"	87" x 148" x 90"

Features and Benefits

The RS Cryo Cabinet/Blast Freezer is designed to freeze a wide variety of food products. The outer/inner shell is a white gel-coated fiberglass and the insulation is an efficient 3" thick closed cell polyurethane foam and insulated door. Although RS Cryo's freezers exist in standard dimensions, we can design tailor made cabinets that suit the specific needs of any individual application.



TYPICAL INSTALLATION
CABINET FREEZER USING CO₂



Custom Shelving
Available

8 CF Cabinet/Blast Freezer

8 CF fiberglass CO₂ or LN₂ cabinet freezer equipped with temperature controller. Temperature range for CO₂ is ambient to -80 degrees F, LN₂ is ambient to -120 degrees F. 110/120 volts

12 CF Cabinet/Blast Freezer

12 CF fiberglass CO₂ or LN₂ cabinet freezer, holds 1-9 standard 18"x26" sheet pans. Temperature range using CO₂ is ambient to -80 degrees F, LN₂ ambient to -120 degrees F. 110/120 volts



153 CF Cabinet/Blast Freezer

153 CF fiberglass CO₂ or LN₂ freezer holds two standard bakers racks using standard 18"x26" sheet pans, equipped with two 1400 rpm variable speed fans and temperature controller. Temperature range for CO₂ is ambient to -80 degrees F, LN₂ ambient to -120 degrees F. 230 volts

308 CF Cabinet/Blast Freezer

308 CF fiberglass CO₂ or LN₂ freezer holds six standard bakers racks using standard 18"x26" sheet pans, equipped with two 1400 rpm variable speed fans and temperature controller. Temperature range for CO₂ is ambient to -80 degrees F, LN₂ ambient to -120 degrees F. 230 volts

